

1

2

3

4

Rev No	Revision note	Date	Signature	Checked

A

A

B

B

C

C

D

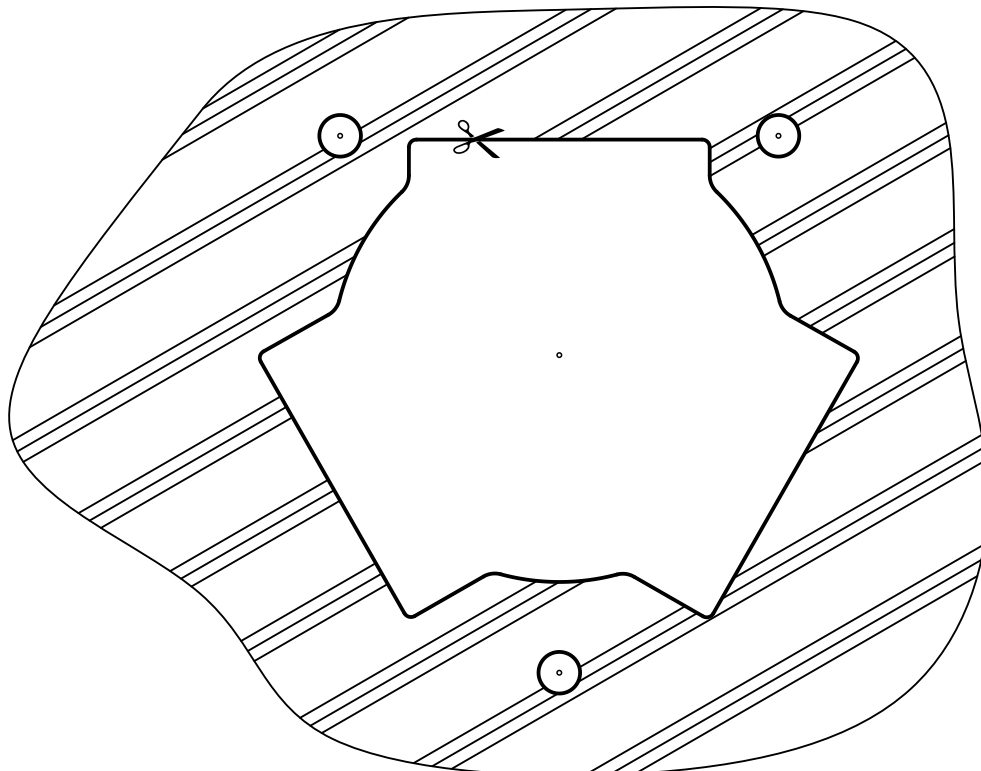
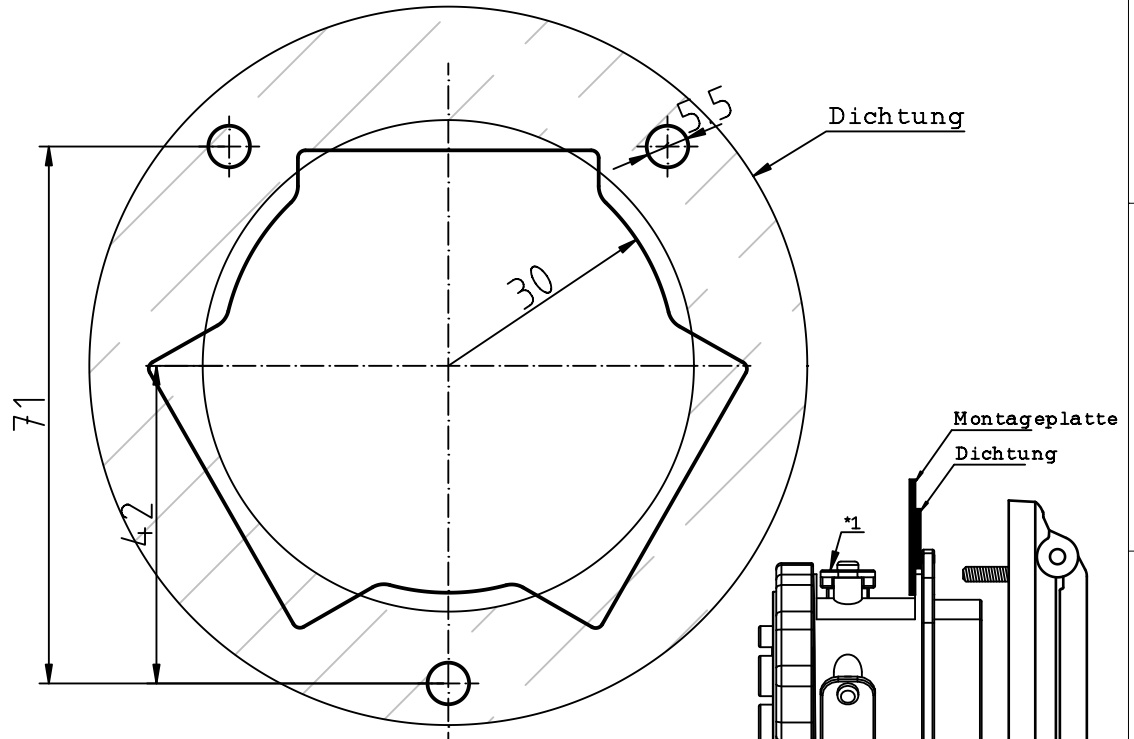
D

E


E

F

F



*1) vor Montage entfernen

Item ref	Quantity	Title/Name, destination, material, dimension etc			Article No./Reference	
Designed by R. Tornar	Checked by	Approved by - date	Filename	Date 15.09.2019	Scale 1:1	
			Bohrschablone 2 Typ 2 Dose, weiblich, 3 Anschraubpunkte			
			www.evalbo.de		Edition 1.0	Sheet 1/1

1

4