

1

2

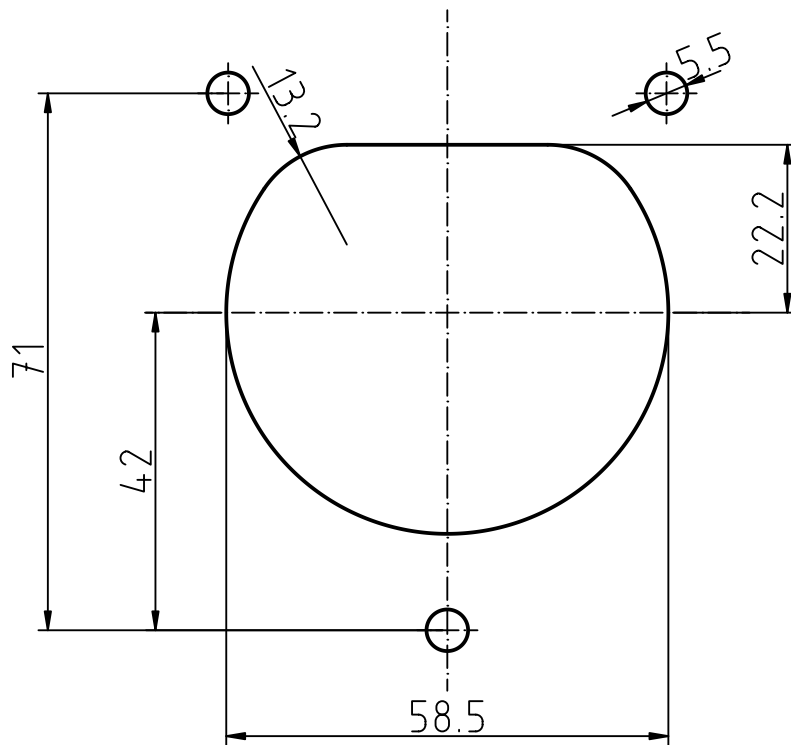
3

4

Rev No	Revision note	Date	Signature	Checked

A

A



B

B

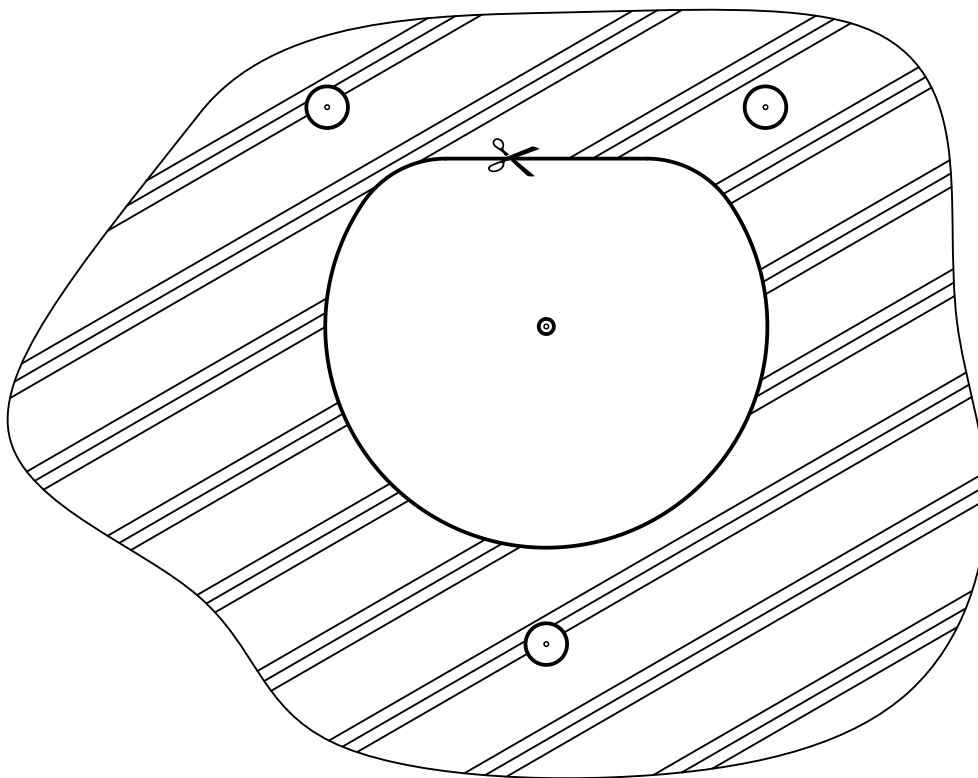
C

C



D

D



E

E

F

F

Item ref	Quantity	Title/Name, destination, material, dimension etc			Article No./Reference	
Designed by R. Tornar	Checked by	Approved by - date	Filename	Date 31.01.2017	Scale 1:1	
			Bohrschablone Typ 2 Dose, weiblich, 3 Anschraubpunkte			
			www.elektrofahrzeug-umbau.de	Edition 1.0	Sheet 1/1	

1

4