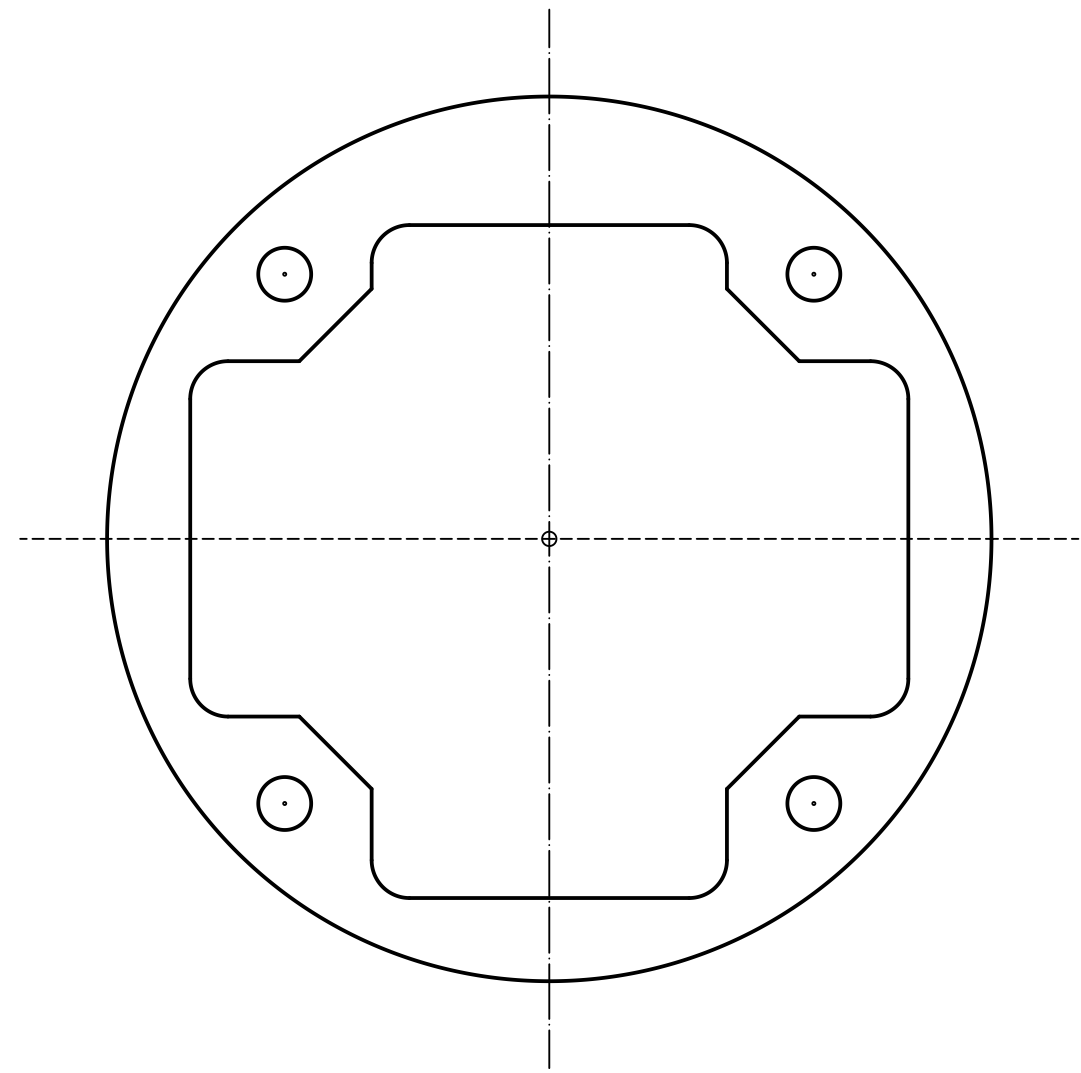
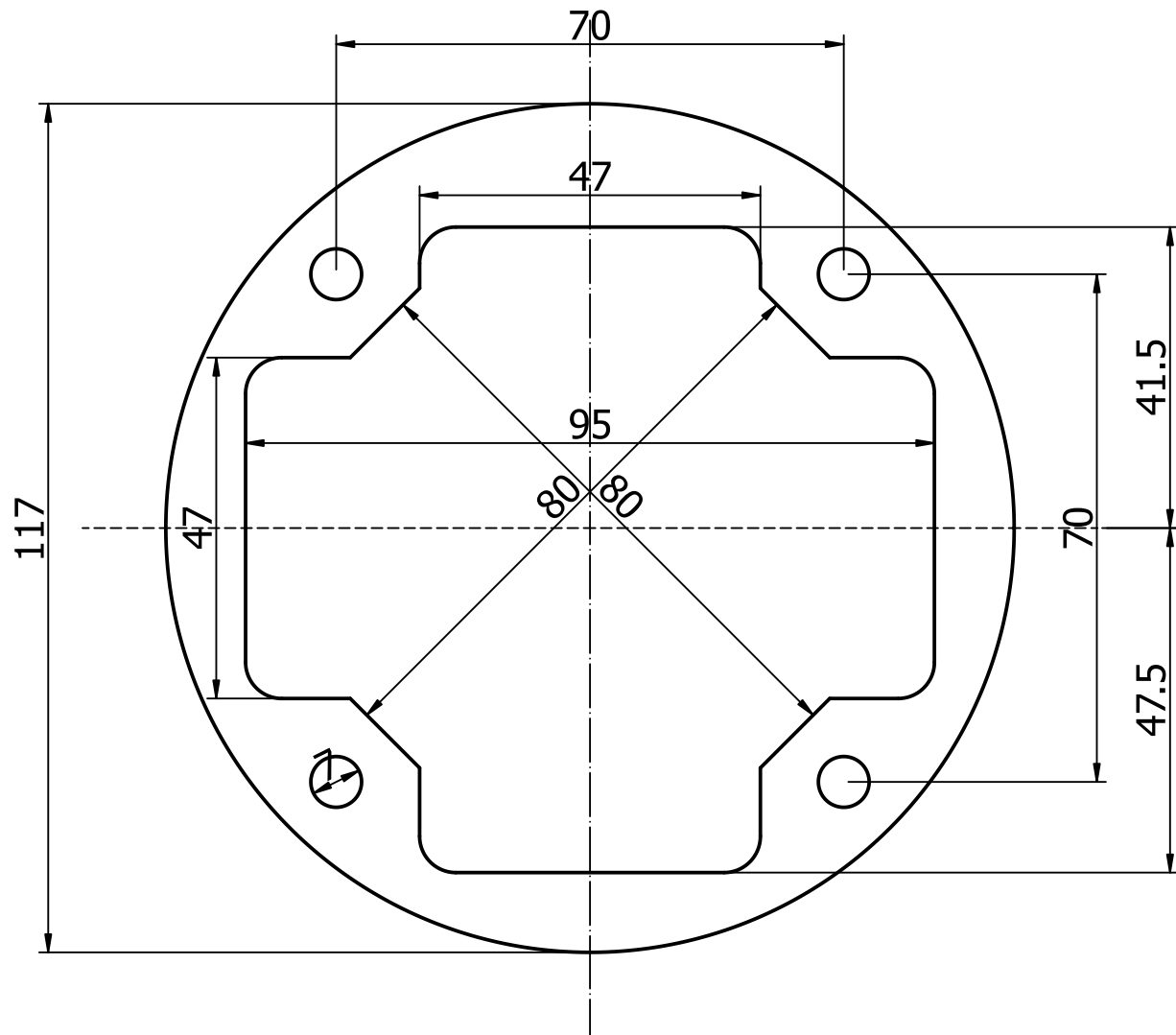
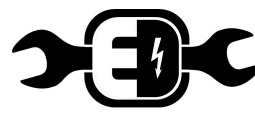


Notes:

Rev No	Revision note	Date	Signature	Checked



Item ref	Quantity	Title/Name, destination, material, dimension etc	Article No./Reference		
Designed by R. Tornar	Checked by	Approved by - date	Filename	Date 28.03.2016	Scale 1:1
 Elektrofahrzeug-Umbau.de			Bohrschablone Typ 2 Dose, männlich		
			DIN A3	Edition 1.1	Sheet 1/1