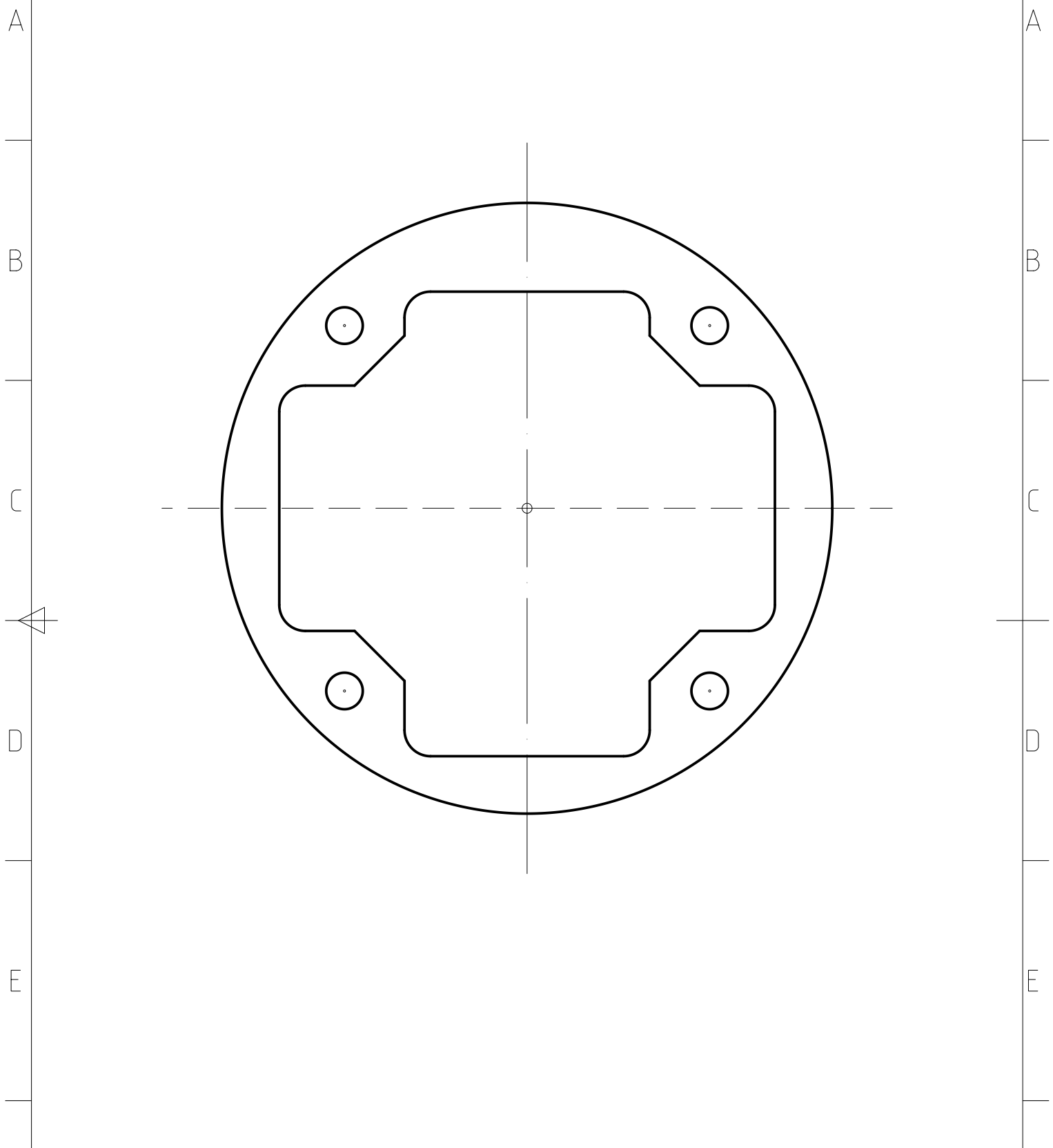



1	Revision note	2	3	4	Date	Signature	Checked
---	---------------	---	---	---	------	-----------	---------



Itemref	Quantity	Title/Name, designation, material, dimension etc			Article No./Reference			
Designed by R. Tornar	Checked by:	Approved by - date	Filename	Date 28.03.2016	Scale 1:1			
 Elektrofahrzeug-Umbau.de				Bohrschablone Typ 2 Dose, männlich			Edition 1.0	Sheet 1/1